

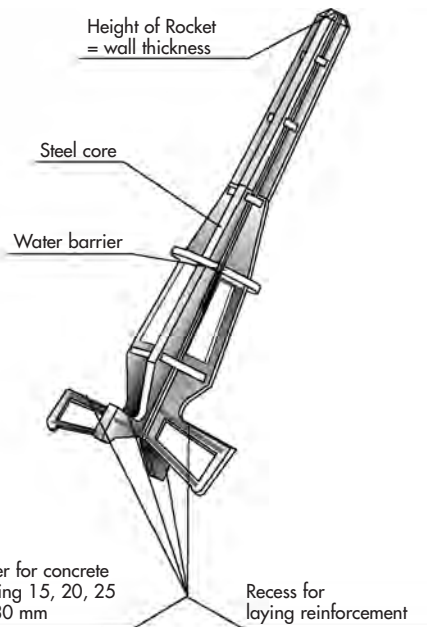
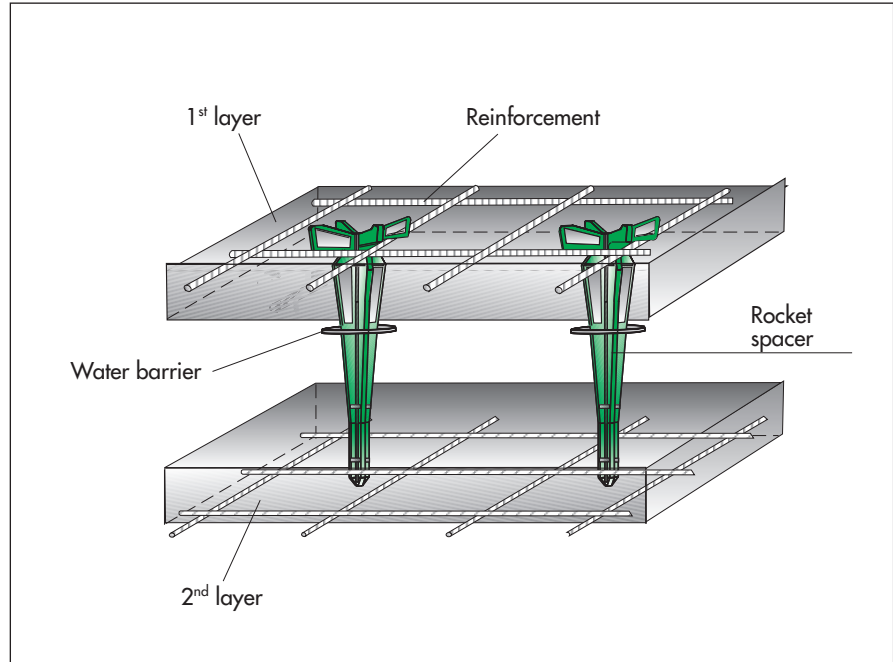
# MULTI ROCKET

The spacer for triple-skin walls

## Impressive advantages

- High accuracy of the finished walls
- Stable spacer with steel insert
- Quick and easy installation
- Distance piece and spacer in one product
- Stands securely because it is hooked into the lower reinforcement
- Protected against corrosion as steel insert covered

## Example of application



- Hang the Rocket spacer in the lower reinforcement and place on the shuttering table.
- Cast the first wall slab with the fitted Rockets.
- Next, cast the second wall slab.
- Then tilt the first wall slab when set.
- Now bring the two wall slabs together.

Type	Wall thickness L in mm
Rocket 150	150
Rocket 180	180
Rocket 200	200
Rocket 220	220
Rocket 240	240
Rocket 250	250
Rocket 300	300
Rocket 350	350
Rocket 365	365
Rocket 400	400

- The width of the wall is accurately and reliably set by the Rocket spacers.

# SHUTTERING ACCESSORIES

Shuttering  
easier than  
ever before

## Plastic nails



- Other dimensions on request

Item number	Dimensions in mm L	Weight kg / 1000 items	Packing unit m items / bag
38000050	50	1,70	1000
38000060	60	2,40	1000
38000075	75	3,00	500
38000090	90	3,30	500
38000100	100	3,90	500
38000125	125	4,80	500
38000150	150	6,60	500

## Multi-rocket

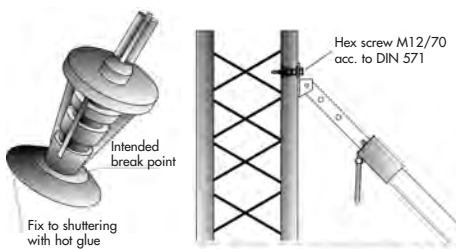


Stable spacer with steel insert for triple-skin walls.

- Other dimensions on request

Item number	Dimensions in mm L	Weight kg / 100 items	Packing unit m items / bag
38210150	150	7,00	100
38210180	180	9,50	100
38210200	200	10,50	100
38210220	220	11,50	100
38210240	240	12,50	100
38210250	250	13,00	100
38210300	300	22,00	50
38210350	350	25,60	50
38210365	365	27,20	50
38210400	400	28,80	50

## Erection dowel



Adjustment aid for prefabricated walls.

Breaking force  $F_u$  (with centralised pull) = 11 kN

Item number	Dimensions in mm L	Weight kg / 100 items	Packing unit m items / bag
38230000	550	1,40	500
38230900	Schlauchstück zu Montagedübel		

SHUTTERING  
ACCESSORIES

